



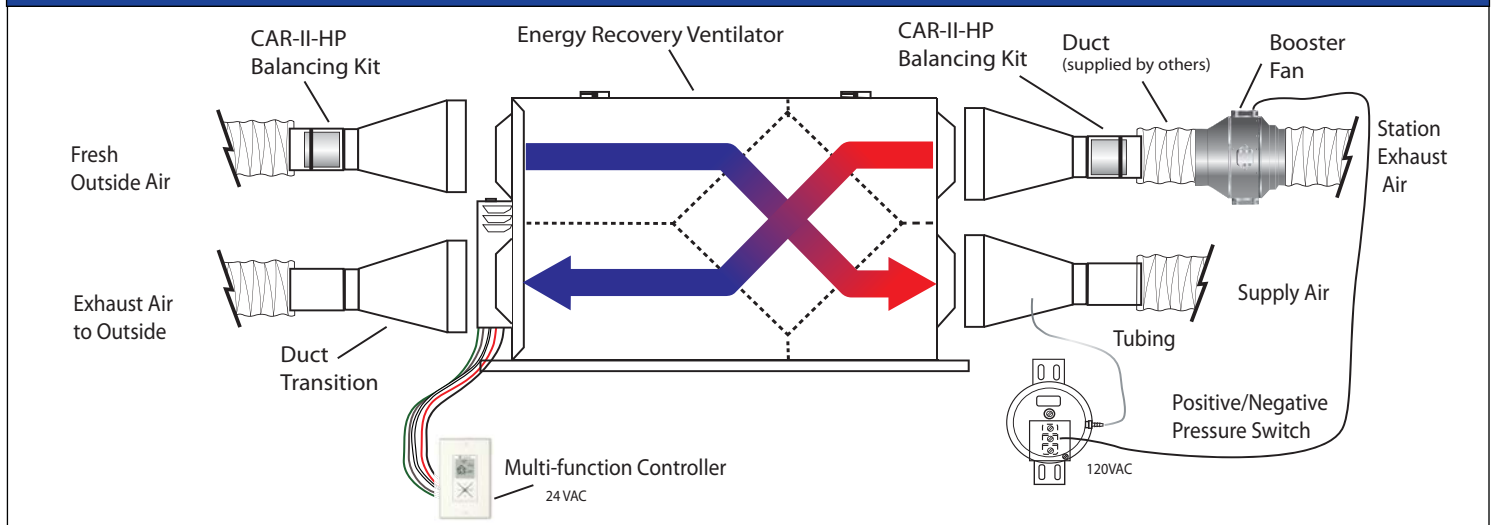
LIGHT COMMERCIAL Energy Recovery Ventilator System for 5 to 14 Stations



PRODUCT DESCRIPTION

The Salon Safe Energy Recovery Ventilation kits are composed of multiple products working together to achieve the goal of exhausting harmful vapors that are produced within nail salons. Salon Safe Energy Recovery Ventilation kits also provide fresh outside air and eliminates cross-contamination of airflows. These kits are designed to produce very little sound while operating and remain both energy efficient and cost effective. The included In-Line Booster Fan is ideal for long exhaust duct runs. With the easy installation of the Salon Safe Energy Recovery Ventilation kit it is sure to be a reliable option for your salon ventilation needs.

KIT COMPONENTS DIAGRAM



KIT COMPONENTS AND QUANTITIES

| Exclusive Salon Safe Kit # | Station Qty | Nominal kit CFM | ERV | | | Multi-Function Control Qty | Booster Fan Model | Capacity cfm @ 1.5" Ps Qty | Pressure Switch Qty | CAR-II-HP Balancing Kit | | | Duct Transitions (rectangular to round) | | |
|----------------------------|-------------|-----------------|----------|-------------------|-----|----------------------------|-------------------|----------------------------|---------------------|-------------------------|--------------------|-----|---|----------|-----|
| | | | Model | Capacity cfm @ .4 | Qty | | | | | Size | cfm @ .6" -2.8" Ps | Qty | Size | Qty | |
| | | | | | | | | | | | | | | | Qty |
| SS-E650X05 | 5 | 250 | E650-Fi | 600 | 1 | 1 | AD-8HP | 286 | 1 | 1 | 8" dia | 265 | 2 | 14x8-8" | 4 |
| SS-E650X06 | 6 | 300 | E650-Fi | 600 | 1 | 1 | AD-10HP | 696 | 1 | 1 | 10" dia | 300 | 2 | 14x8-10" | 4 |
| SS-E650X07 | 7 | 350 | E650-Fi | 600 | 1 | 1 | AD-10HP | 696 | 1 | 1 | 10" dia | 355 | 2 | 14x8-10" | 4 |
| SS-E650X08 | 8 | 400 | E650-Fi | 600 | 1 | 1 | AD-10HP | 696 | 1 | 1 | 10" dia | 415 | 2 | 14x8-10" | 4 |
| SS-E650X09 | 9 | 450 | E650-Fi | 600 | 1 | 1 | AD-10HP | 696 | 1 | 1 | 10" dia | 470 | 2 | 14x8-10" | 4 |
| SS-E650X10 | 10 | 500 | E650-Fi | 600 | 1 | 1 | AD-10HP | 696 | 1 | 1 | 10" dia | 525 | 2 | 14x8-10" | 4 |
| SS-E650X11 | 11 | 550 | E650-Fi | 600 | 1 | 1 | AD-10HP | 696 | 1 | 1 | 10" dia | 570 | 2 | 14x8-10" | 4 |
| SS-E650X12 | 12 | 600 | E650-Fi | 600 | 1 | 1 | AD-10HP | 696 | 1 | 1 | 10" dia | 630 | 2 | 14x8-10" | 4 |
| SS-E650X13 | 13 | 650 | E1100-Fi | 1300 | 1 | 1 | AD-10HP | 696 | 1 | 1 | 10" dia | 650 | 2 | 20x8-10" | 4 |
| SS-E650X14 | 14 | 700 | E1100-Fi | 1300 | 1 | 1 | AD-10HP | 696 | 1 | 1 | 10" dia | 702 | 2 | 20x8-10" | 4 |

© 2017 American ALDES Ventilation Corporation. Reproduction or distribution, in whole or in part, of this document, in any form or by any means, without the express written consent of American ALDES Ventilation Corporation, is strictly prohibited. The information contained within this document is subject to change without prior written notice.